



WELLVALVE

WVZ45X-BS

RESILIENT SEAT GATE VALVE

APPLICATION

General use:Water supply,fire protection,irrigation,water treatment

GENERAL CHARACTERISTICS

From DN 50 to 600,Design in accordance to standard BS5163/BS5150

Flanged ends PN10 / PN16.

WORKING CONDITIONS

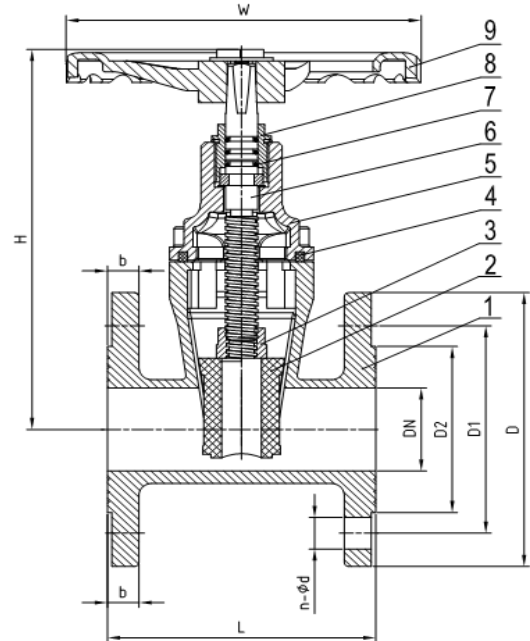
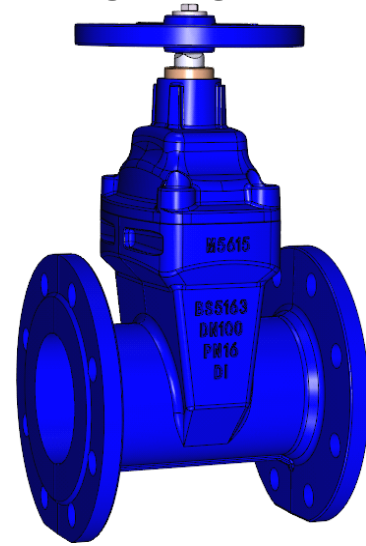
Maximum working pressure : 10bar / 16 bar.

Maximum temperature : -10°C~110°C.

STANDARDS

Flanged to BS 4504 / BS EN1092-2

Ductile Iron Wedge, fully EPDM encapsulated · Stainless Steel Stem · Epoxy coating, external & internal



ITEM	PART NAME	MATERIAL
1	BODY	GGG50
2	DISC	GGG50+EPDM
3	STMNUT	BRASS
4	BONNET GASKET	EPDM
5	BONNET	GGG50
6	STEM	SS420
7	O-RING	NBR
8	THRUST NUT	BRASS
9	HAND WHEEL	GGG50

Structure												
DN	L	D		D1		D2		b	n-ød		H	W
		PN10	PN16	PN10	PN16	PN10	PN16		PN10	PN16		
40	165	150		145	145	84	19	4-ø19		232	180	
50	178	165		125		99	19	4-ø19		266	180	
65	190	185		145		118	19	4-ø19		275	200	
80	203	200		160		132	19	8-ø19		295	200	
100	229	220		180		156	19	8-ø19		340	220	
125	254	250		210		184	19	8-ø19		385	220	
150	267	285		240		211	19	8-ø23		420	280	
200	292	340		295		266	20	8-ø23	12-ø23	520	315	
250	330	395	405	350	355	319	22	12-ø23	12-ø28	635	405	
300	356	445	460	400	410	370	24.5	12-ø23	12-ø28	713	405	
350	381	505	520	460	470	429	26.5	16-ø23	16-ø28	760	500	
400	406	565	580	515	525	480	28	16-ø28	16-ø31	850	500	
450	432	615	640	565	585	530	30	20-ø28	20-ø31	980	650	
500	457	670	715	620	650	582	32	20-ø28	20-ø34	1050	650	
600	508	780	840	725	700	682	36	20-ø31	20-ø37	1245	650	