



WELLVALVE

WVZ45X-F4

**RESILIENT SEAT GATE VALVE**

**APPLICATION**

General use:Water supply,fire protection,irrigation,water treatment

**GENERAL CHARACTERISTICS**

From DN 50 to 600,Design in accordance to standard DIN 3352 NF EN 1171.

Flanged ends PN10 / PN16.

**WORKING CONDITIONS**

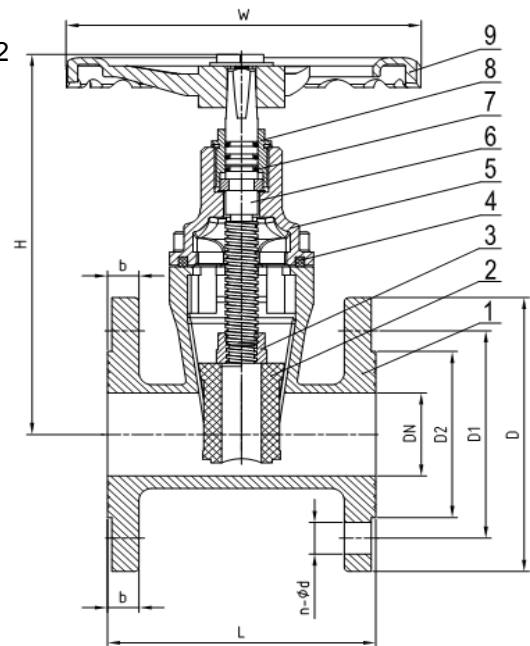
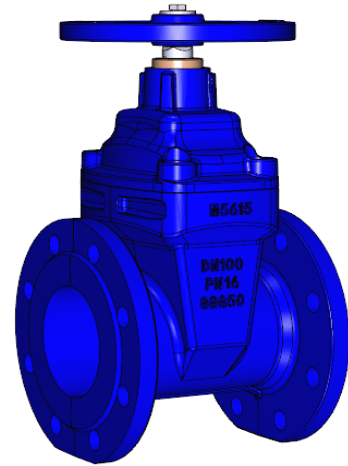
Maximum working pressure : 10bar / 16 bar.

Maximum temperature : -10°C~110°C.

**STANDARDS**

Test procedures are established according to standard NF EN 12266-1, NF EN 12266-2, DIN 3230, ISO 5208.

Face to face according to standard EN 558-1 serie 14/15 and DIN 3202 / F4 Connections according to standard EN 1092-2 ISO PN 16.



| ITEM | PART NAME     | MATERIAL   |
|------|---------------|------------|
| 1    | BODY          | GGG50      |
| 2    | DISC          | GGG50+EPDM |
| 3    | STMNUT        | BRASS      |
| 4    | BONNET GASKET | EPDM       |
| 5    | BONNET        | GGG50      |
| 6    | STEM          | SS420      |
| 7    | O-RING        | NBR        |
| 8    | THRUST NUT    | BRASS      |
| 9    | HAND WHEEL    | GGG50      |

| Structure |     |      |      |      |      |      |      |      |        |        |      |     |
|-----------|-----|------|------|------|------|------|------|------|--------|--------|------|-----|
| DN        | L   | D    |      | D1   |      | D2   |      | b    | n-ød   |        | H    | W   |
|           |     | PN10 | PN16 | PN10 | PN16 | PN10 | PN16 |      | PN10   | PN16   |      |     |
| 40        | 140 | 150  |      | 145  | 145  | 84   |      | 19   | 4-ø19  |        | 232  | 180 |
| 50        | 150 | 165  |      | 125  |      | 99   |      | 19   | 4-ø19  |        | 266  | 180 |
| 65        | 170 | 185  |      | 145  |      | 118  |      | 19   | 4-ø19  |        | 275  | 200 |
| 80        | 180 | 200  |      | 160  |      | 132  |      | 19   | 8-ø19  |        | 295  | 200 |
| 100       | 190 | 220  |      | 180  |      | 156  |      | 19   | 8-ø19  |        | 340  | 220 |
| 125       | 200 | 250  |      | 210  |      | 184  |      | 19   | 8-ø19  |        | 385  | 220 |
| 150       | 210 | 285  |      | 240  |      | 211  |      | 19   | 8-ø23  |        | 420  | 280 |
| 200       | 230 | 340  |      | 295  |      | 266  |      | 20   | 8-ø23  | 12-ø23 | 520  | 315 |
| 250       | 250 | 395  | 405  | 350  | 355  | 319  |      | 22   | 12-ø23 | 12-ø28 | 635  | 405 |
| 300       | 270 | 445  | 460  | 400  | 410  | 370  |      | 24.5 | 12-ø23 | 12-ø28 | 713  | 405 |
| 350       | 290 | 505  | 520  | 460  | 470  | 429  |      | 26.5 | 16-ø23 | 16-ø28 | 760  | 500 |
| 400       | 310 | 565  | 580  | 515  | 525  | 480  |      | 28   | 16-ø28 | 16-ø31 | 850  | 500 |
| 450       | 330 | 615  | 640  | 565  | 585  | 530  | 548  | 30   | 20-ø28 | 20-ø31 | 980  | 650 |
| 500       | 350 | 670  | 715  | 620  | 650  | 582  | 609  | 32   | 20-ø28 | 20-ø34 | 1050 | 650 |
| 600       | 390 | 780  | 840  | 725  | 700  | 682  | 720  | 36   | 20-ø31 | 20-ø37 | 1245 | 650 |