

Ref.:WVZ1.12
 Rev.:Initial
 Date:09/05/2015
 Page:1/1

**RESILIENT SEAT GATE
 VALVE PN25
 WVZ1.12**

Since 1999
 iron valves expert



WELLVALVE

APPLICATION

General use: Water supply, fire protection, irrigation, water treatment.

GENERAL CHARACTERISTICS

Design in accordance to standards DIN3352 and EN 1171.

Range: from DN40 TO DN400.

Epoxy: coated body color RAL 5019, 5005 or as required, thickness 200-350 microns. Non rising stem. Clockwise to close. /No zone of retention./Low head losses.

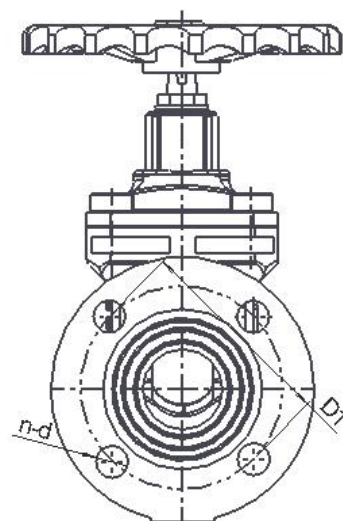
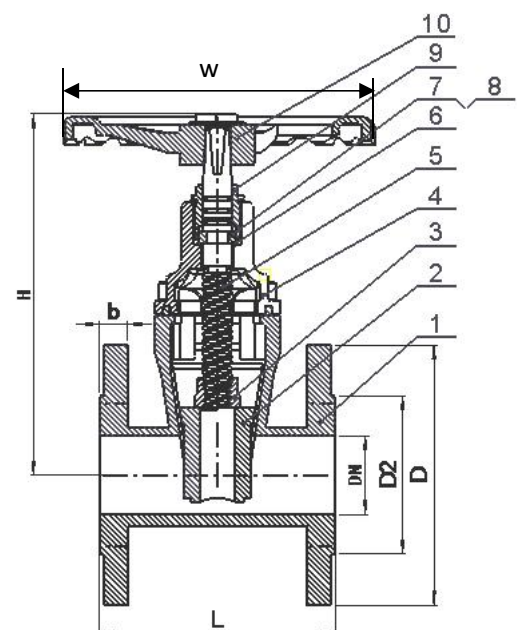
CONSTRUCTION

10	Hand wheel	Ductile iron GGG50
9	Gland nut	Brass
8	Sealing	Rubber
7	O-ring	Rubber
6	Half bearing	Brass
5	Stem	Stainless steel 420
4	Bonnet	Ductile iron GGG50
3	Stem nut	Brass
2	Wedge	Ductile iron GGG50+EPDM
1	Body	Ductile iron GGG50
Pos.	Description	Material



DIMENSIONS

DN		L	H	D2	D1	D	b	n-d	W	Weight (kg)
mm	inch									
40	1 1/2"	140	225	84	110	150	19	4-19	200	8
50	2"	150	235	99	125	165	19	4-19	200	9.5
65	2 1/2"	170	270	118	145	185	19	4-19	200	13
80	3"	180	275	132	160	200	19	8-19	200	14
100	4"	190	315	156	190	235	19	8-23	250	21
125	5"	200	360	184	220	270	19	8-28	300	24
150	6"	210	400	211	250	300	20	8-28	300	36
200	8"	230	480	274	310	360	22	12-28	350	60
250	10"	250	615	330	370	425	24.5	12-31	450	90
300	12"	270	700	389	430	485	27.5	16-31	450	140
350	14"	290	865	448	490	555	30	16-34	600	195
400	16"	310	960	503	550	620	32	16-37	600	277



WORKING CONDITIONS

Maximum working pressure: 25 bar.

Maximum working temperature: -10°C/+110°C.

STANDARDS

Face to face according to EN558-1 series 14 and DIN3202 F4 short series.

Test procedures following standards NF EN 12266-1, DIN3230 and ISO 5208.

Flanged connection according to EN 1092-2 ISO PN25.

WELLVALVE China-Jinping Industrial Zone, Lianyungang.
 Tel: +86-518-85202345 Fax: +86-518-85321234
 E-mail: wellvalve@wellvalve.com Web: www.wellvalve.com